

<R42-289-0>

Service Manual

SPEAKER SYSTEM

CS-06

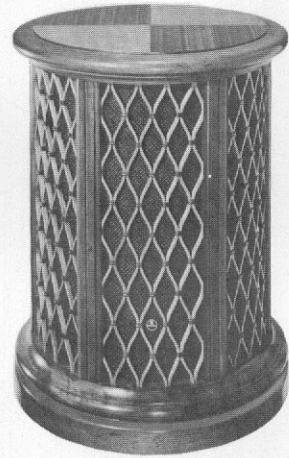
PIONEER®

<72H02M01K>

4. CS-06

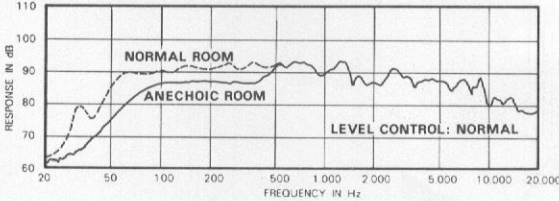
4.1 SPECIFICATIONS

Enclosure	Omnidirectional, enclosed type
System	3-way 7-speaker system
Speakers;	
Woofer	25cm (10 in.) cone type
Mid Range	10cm (4 in.) cone types, 3 pieces
Tweeter	5.7cm (2¼ in.) cone type, 3 pieces
Input Impedance	8Ω
Frequency Range	45Hz to 20,000Hz
Sensitivity	87dB/W at 1 m distance
Max. Input Power	50W
Crossover Frequencies	1,400Hz, 5,000Hz
External Dimensions	418ø (diam.) x 535.5(height) mm
	5-27/32(diam.) x 21-3/32(height) in.
Weight	16.5kg (36lb 5oz)

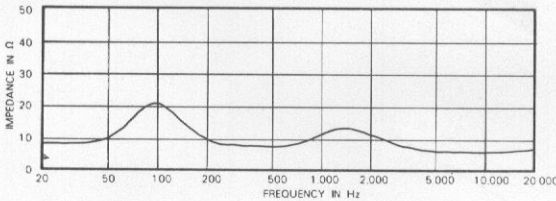


NOTE: Specifications and the design subject to possible modification without notice due to improvements.

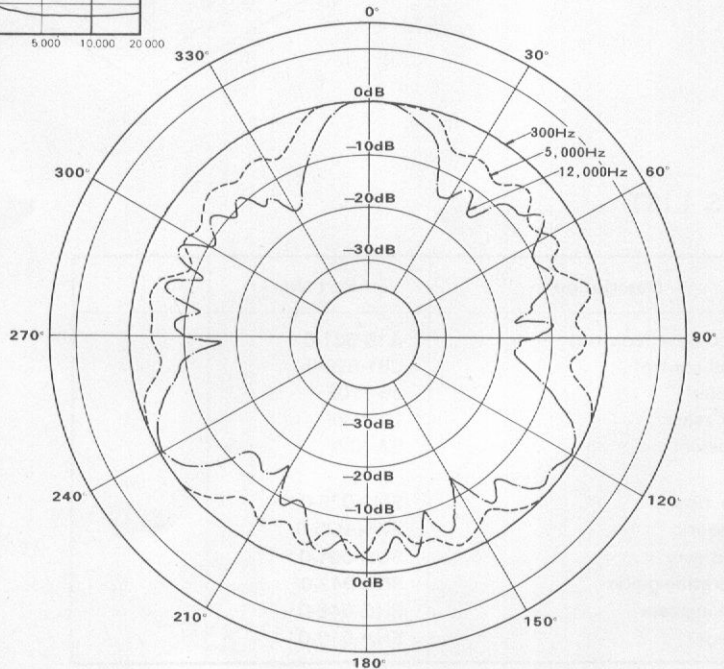
DIRECTIONAL FREQUENCY RESPONSE



CHARACTERISTIC IMPEDANCE

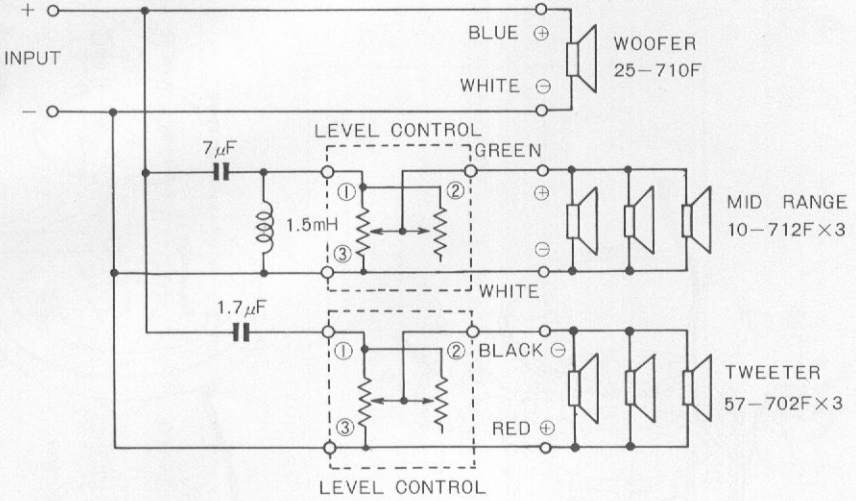


RADIATION PATTERN

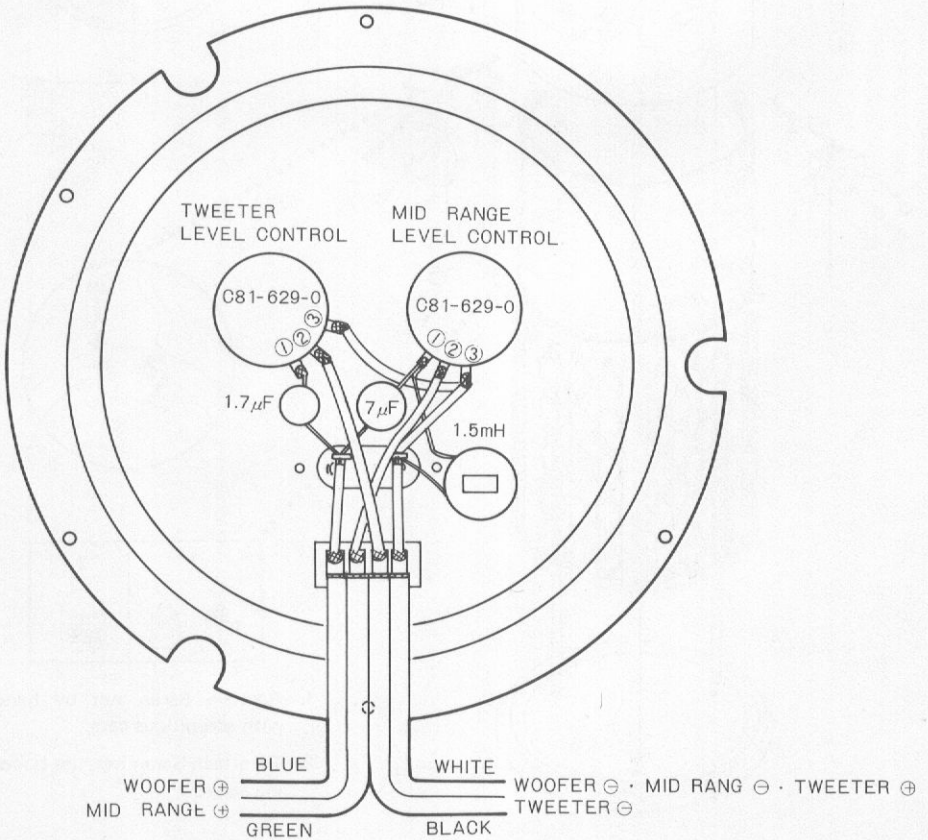


4.2 NETWORK

CIRCUIT



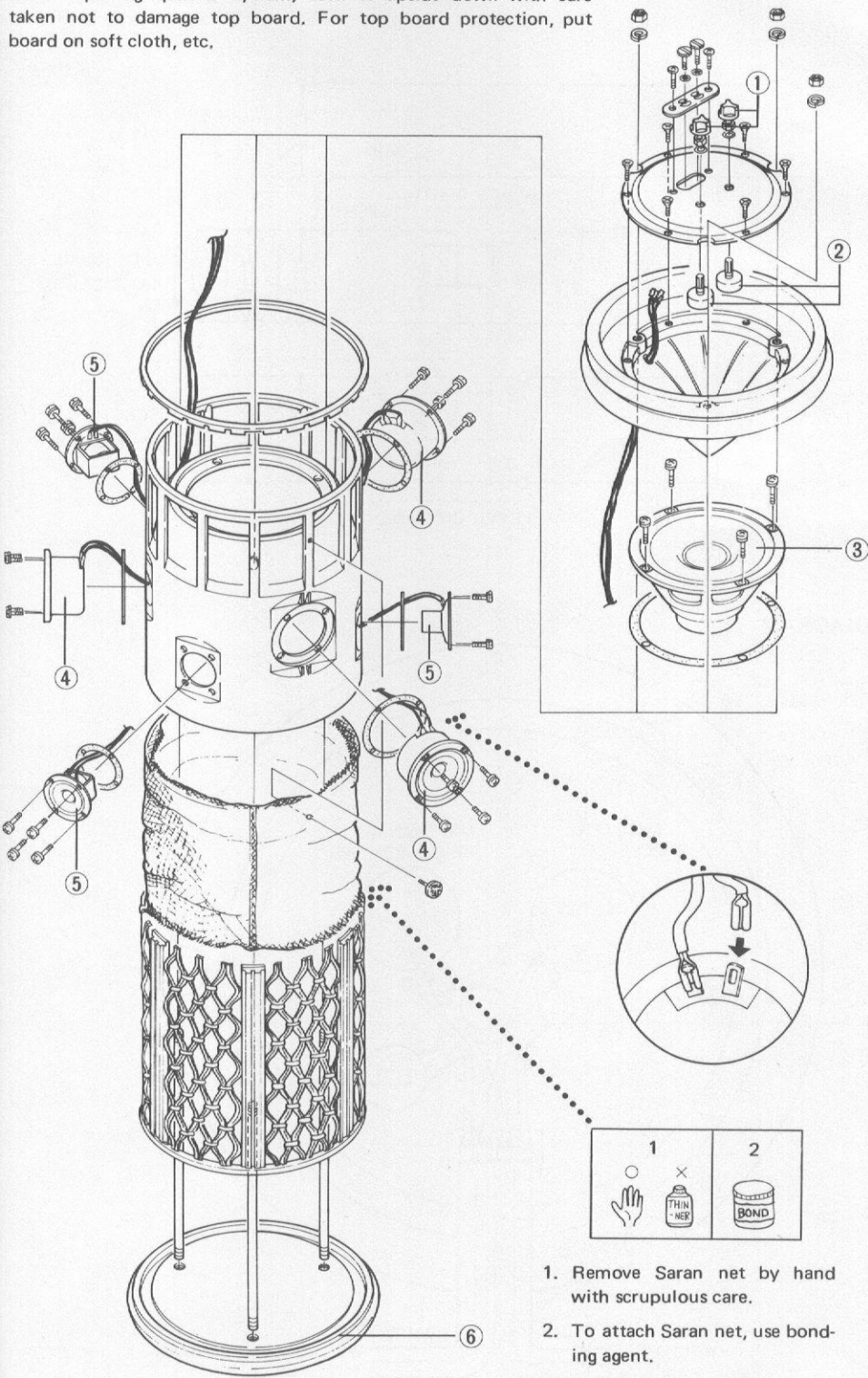
WIRING DIAGRAM



4.3 EXPLODED VIEW AND PARTS LIST

NOTE:

When repairing speaker system, turn it upside down with care taken not to damage top board. For top board protection, put board on soft cloth, etc.



CS-06 PARTS LIST

Key No.	Description	Part No.
1	Knob (level control)	A19-621-0
2	Level control	C81-629-0
3	Woofer	25-710F
4	Mid range	10-712F
5	Tweeter	57-702F
6	Top board	SMS-025-0
	Network	SWN-025-0
	Lead wire	SDD-031-0
	Operating guide	SRB-042-0
	Packing case	SHG-046-0
	Styrol	SHA-019-0

